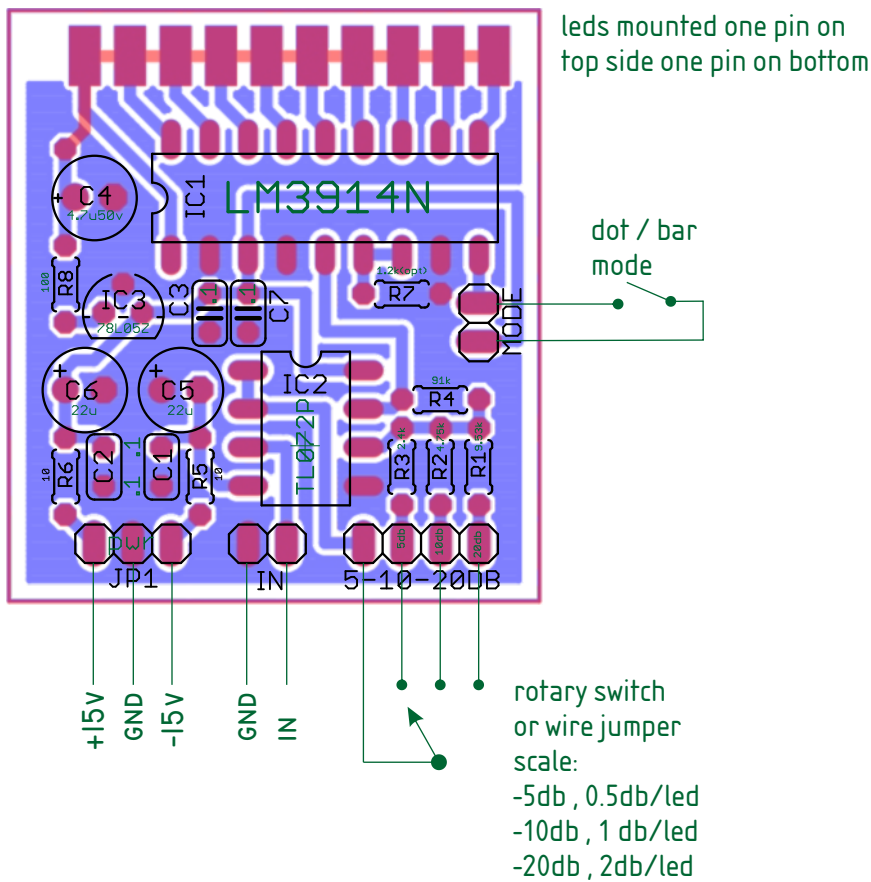


TO BE PRINTED AS IS, NOT TO SCALE
 75MM X 100MM DOUBLE SIDED PCB
 GR PCB X 4

top side all conected (+) ; If single sided pcb is used
the leds can be conected by bending (+) legs together



PARTS LIST

IC1 Lm3914
Ic2 TL072N
Ic3 78L05

C1, C2, C3, C7 0.1uF (100n) - CERAMIC/POLYESTER FILM
C4 4.7uF 50V ELECTROLITIC
C5, C6 22uF 50V ELECTROLITIC

R1 9.53K - (match some other resistors in series)
R2 4.75K
R3 2.4 K
R4 91 K
R5, R6 10 ohm
R7 1.2K (optional)
R8 100 ohm

10 LEDS 5X2mm OR 2mm
SCALE ROTARY SWITCH OR WIRE JUMPER



THE 2mm LEDS I SOURCED FROM:
http://www.tme.eu/html/EN/2-mm-leds-with-flat-front/ramka_2643_EN_pelny.html